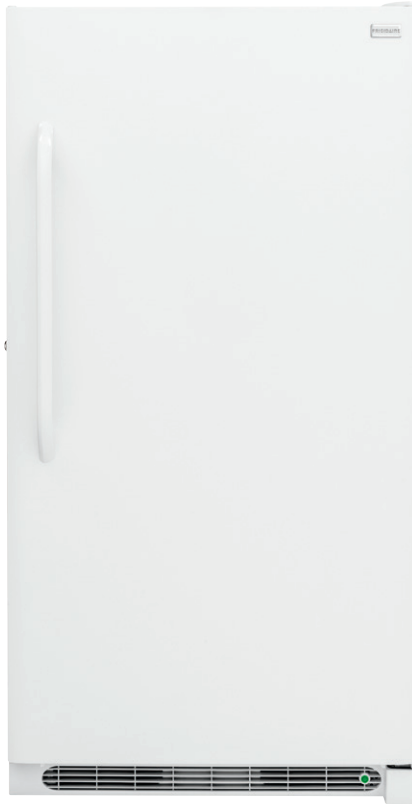


Freezer

FFFH20F2QW

Frost-Free
20.2 Cu. Ft. Upright



Product Dimensions

Height (Including Hinges)	73-3/16"
Width	34"
Depth (Including Door)	30-1/2"

More Easy-To-Use Features

Power-On Indicator Light

Know at a glance that your freezer is working.

Adjustable Temperature Control

Select the correct temperature for your needs.



ENERGY STAR®

Available in:



White
(W)

¹ Compared to Incandescent, 25W and 40W bulbs.

Signature Features

Bright LED Lighting

Brighter LED theatre lighting so you can spend less time digging through your freezer for items.¹

Frost-Free Operation

Never defrost your freezer again so you can spend time on more important things.

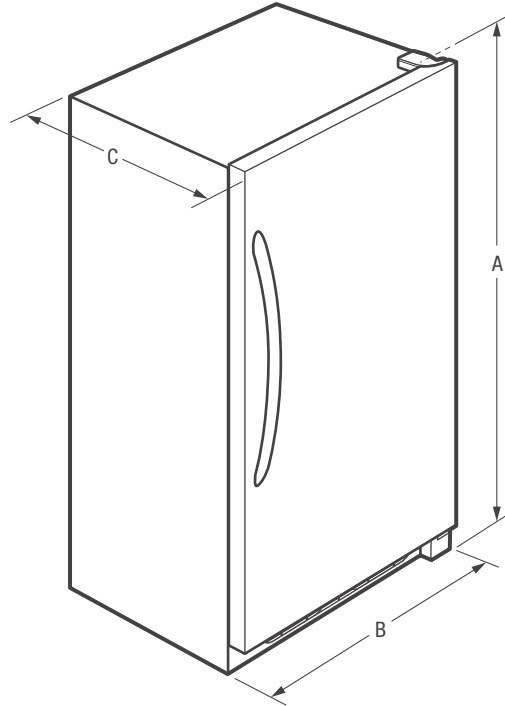
Lock with Pop-Out Key

The freezer key automatically ejects after locking the door so you won't leave it in the door.

ENERGY STAR®-Qualified

Save money on your utility bills with ENERGY STAR®-Qualified appliances.

Features	
Door Handle Design	Reach-Through
Reversible Door	
Automatic Door Closer	Yes
Leveling Legs	Yes
Lock with Pop-Out Key	Yes
Defrost	Frost-Free
Adjustable Temperature Control	Mechanical Dial
Front Digital Display	
Temp Display Mode	1-7
High-Temp Duration Readout	
High-Temp Alarm	
Door Ajar Alarm	
Airflow Ports	1
Interior Lighting	LED
Full-Width Adjustable Shelves	4 Wire
Full-Width Fixed Shelves	
Removable Trivet	1
Mid-Level Baskets	
Lower Storage Basket	
Basket Dividers	
Retractable Pizza Shelf	
Full-Width Door Bins	
Fixed Door Racks	6
Defrost Drain	
Power-On Light	Yes
Certifications	
ENERGY STAR®	Yes
CSA Rating	Household
Specifications	
Total Capacity (Cu. Ft.)	20.2
Shelf Area (Sq. Ft.)	13.1
Annual Energy (kWH)	480
Annual Energy Cost (.12/kWH)	\$58
Power Supply Connection Location	Lower Right Rear
Voltage Rating	115V, 60Hz
Connected Load (kW rating) @ 115 Volts¹	.60
Amps @ 115 Volts	5
Minimum Circuit Required (Amps)	15
Shipping Weight (Approx.)	210 Lbs.



¹An electrical supply with grounded three-prong receptacle is required. The power supply circuit must be installed in accordance with current local codes & ordinances.

NOTE: For planning purposes only. Always consult local and national electric codes. Refer to Product Installation Guide for detailed installation instructions on the web at frigidaire.ca.



Product Dimensions	
A - Height (Including Hinges)	73-3/16"
B - Width	34"
C - Depth (Including Door)	30-1/2"
Depth with Door Open 90°	62-1/8"

Accessories information available on the web at frigidaire.ca