

CFMV1645T D/S/W/B

MICROWAVE
30" OVER-THE-RANGE



AVAILABLE COLOURS



SIGNATURE FEATURES

Cooktop LED Lighting

Make meal preparation and cooking simple with LED lighting that offers a clear, bright view of your cooktop.

One-Touch Options

Our microwaves feature easy-to-use one-touch buttons so you can cook baked potatoes, popcorn or even add 30 seconds with the touch of a button.

Interior LED Lighting

LED interior microwave light stays on while your dish cooks.

Fits-More™ Capacity

Extra-Large microwave provides 1.6 cu. ft. of cooking space and will hold almost any dish — even a 13" x 9" baking dish.

PRODUCT DIMENSIONS

Height	16-13/32"
Width	29-7/8"
Depth	15-1/32"

MORE EASY-TO-USE FEATURES

Multi-Stage Cooking Option

Our Multi-Stage Cooking option allows you to program power levels and cooking times in advance, customizing your microwave to your cooking needs.

Two Speed Ventilation

Over-the-range microwave doubles as a hood, offering ventilation with two fan speeds.

Zero Clearance Door

The microwave door is guaranteed to open up to a 90° angle without touching any adjacent walls, helping you adapt to any compact spaces in your kitchen.

Extra-Large 12-1/2" Diameter Glass Turntable

Big bowls and large casserole dishes are no problem for our extra-large glass turntable. It rotates for even cooking.

Auto-Reheat Options

Charcoal Vent Filters

CFMV1645T D/S/W/B MICROWAVE

FRIGIDAIRE

30" OVER-THE-RANGE

FEATURES

Control/Timing System	Ready-Select®
Exterior Door Finish	Black Stainless Steel (D), Stainless Steel (S), Colour-Coordinated (W/B)
Handle Design	Black Stainless Steel (D), Stainless Steel (S), Colour-Coordinated (W/B)
Microwave Capacity (Cu. Ft.)	1.6
Watts (IEC-705 Test Procedure)	1,000
Interior Light	LED
Interior Colour	White
Turntable Diameter	12-1/2"
Control Lock	Yes
Clock	Yes
Touch Pad Buttons	24
Power Levels	10
Sound Level Options	4

MICROWAVE CONTROL OPTIONS

Popcorn Button	Yes
Baked Potato Button	Yes
Sensor Reheat Button	Yes
Beverage	Yes
Auto Melt & Soften Options	Yes
Auto Reheat Options	Yes
Auto Defrost Options	Weight/Time
Multi-Stage Cooking Option	Yes
Add-30-Seconds	Yes
Quick Start	Yes (1-3)
Delay Start	Yes
Power Save (No Clock Display)	Yes

VENTILATION SYSTEM

Ducted/Ductless Installation Option	Yes
Exhaust Fan (CFM)	2-Speed 105/220
Cooktop Light	LED
Auto-Start Heat Sensor	Yes
Dishwasher-Safe Vent Filter (Ductless Installation)	Yes

POWER RATINGS

Frequency (MHz)	2,450
Watts @ 120 Volts	1,000
Amps @ 120 Volts	13

OPTIONAL ACCESSORIES

Charcoal Filter	PN# 5304464577
-----------------	----------------

SPECIFICATIONS

Oven Interior (HxWxD)	9-1/2" x 20-1/4" x 14-13/32"
Power Supply Connection Location	Right Top Rear
Voltage Rating	120V / 60Hz / 15A
Connected Load (kW Rating) @ 120 Volts ¹	1.6
Minimum Circuit Required (Amps)	15
Shipping Weight (Approx.)	59 Lbs.

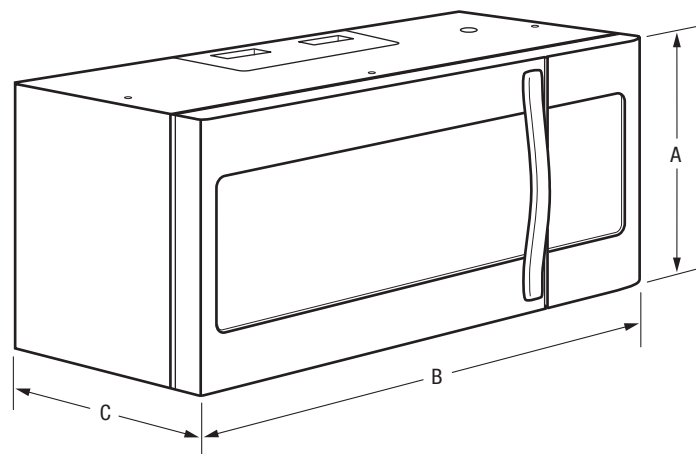
¹For use on adequately wired 120V, dedicated circuit having 2-wire service with a separate ground wire. Appliance must be grounded for safe operation.

PRODUCT DIMENSIONS

A - Height	16-13/32"
B - Width	29-7/8"
C - Depth	15-1/32"

CUTOUT DIMENSIONS

Height (Min. from floor to top of unit)	66"
Width (Min.)	30"
Depth (Min.)	12"
Depth (Max.)	13"



Note: For planning purposes only. Always consult local and national electric, gas and plumbing codes. Refer to Product Installation Guide for detailed installation instructions on the web at frigidaire.ca.

Specifications subject to change. Accessories information available on the web at frigidaire.ca

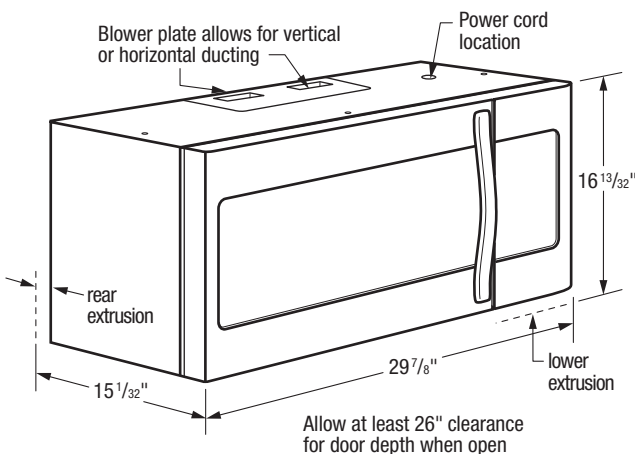
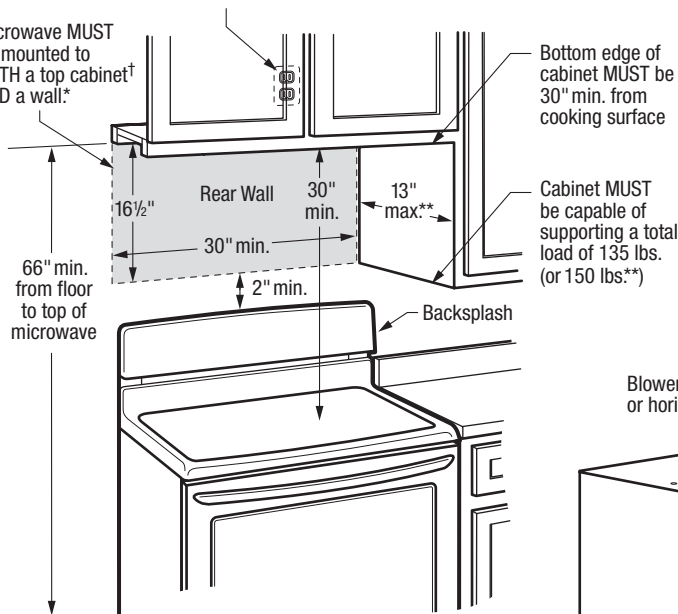
FRIGIDAIRE

CANADA • 5855 Terry Fox Way • Mississauga, ON L5V 3E4 • 1-800-265-8352 • frigidaire.ca

CFMV1645T 05/18
© 2018 Electrolux Major Appliances, NA

Locate 120V/60Hz grounded outlet inside upper cabinet

Microwave MUST be mounted to BOTH a top cabinet† AND a wall*.



†When installing beneath smooth, flat cabinets, refer to cabinet template for detailed power cord clearance instructions

*Can NOT be installed in island or peninsula cabinet arrangements

**If cabinet depth (including doors) is deeper than 13"; unit MUST be spaced out from rear wall using adequate materials (supporting 150 lbs.) to allow proper top vent air exhaust/intake

INSTALLATION SPECIFICATIONS

MICROWAVE SPECIFICATIONS

- Product Shipping Weight (approx.) – 59 Lbs.
- Voltage Rating – 120V/60 Hz/15 Amps
- Connected Load (kW Rating) @ 120 Volts = 1.6kW (For use on adequately wired 120V, dedicated circuit having 2-wire service with a separate ground wire. Appliance must be grounded for safe operation.)
- Amps @ 120 Volts = 13 Amps
- Always consult local and national electric codes.
- Grounded outlet should be located in cabinet above, with hole in base to route power cord. Carefully follow top template instructions for power cord clearance when installing beneath smooth, flat cabinets.
- Microwave's exhaust ventilation system is preset to recirculate air inside with no ducting system required. Exhausting air outside is optional, using either vertical or horizontal ducting system. (Refer to Ducted Option Specifications for outside ventilation.)
- For safe and proper installation, microwave MUST be mounted to BOTH a top cabinet AND a wall, and connected to at least one wall stud. Can NOT be installed in island or peninsula cabinet arrangements.
- Cabinet bottom MUST be level to insure proper installation.
- Cabinet MUST be capable of supporting a total load of 135 lbs.
- When installing beneath smooth, flat cabinets, refer to cabinet template for detailed power cord clearance instructions.
- If cabinet depth (including doors) is deeper than 13", unit MUST be spaced out from rear wall using adequate materials (supporting 150 lbs.) to allow proper top vent air exhaust/intake.
- Filler blocks recommended for installation when cabinet front hangs below recessed bottom shelf.

- Minimum distance of 30" required from cooking surface to bottom edge of top cabinet.
- Minimum distance of 66" required from floor to top of microwave.
- Opening between cabinets MUST be 30" wide and free of obstructions. For openings up to 36" wide, order optional 36" Filler Panel Kit to fill in gap between unit and cabinets.
- Allow 26" minimum clearance for 90° door swing.

DUCTED OPTION SPECIFICATIONS

- For outside ventilation.
- Exhaust duct adapter will be needed for outside ventilation, to mate with standard 3-1/4"x10" rectangular duct. If round duct required, rectangular-to-round transition adapter will be needed with no less than 6" diameter.
- For most efficient airflow exhaust, use a straight run or as few elbows as possible with a maximum duct length of 3-1/4"x10" rectangular or 6" diameter round duct, not to exceed 120 equivalent feet.
- For horizontal installation, be sure to allow enough space between wall studs to accommodate exhaust.
- Refer to installation instructions on web for detailed duct preparation and converting exhaust vent blower system for exterior exhaust ventilation.

OPTIONAL ACCESSORIES

- 36" Stainless Steel Filler Panel Kit – (PN# MWFILKTS).
- 36" White Filler Panel Kit – (PN# MWFILKTWH).
- 36" Black Filler Panel Kit – (PN# MWFILKTBK).
- 15" Bump-Out Kit – (PN# 5304508807).
- Charcoal Filter – (PN# 5304464577).

Note: For planning purposes only. Always consult local and national electric, gas and plumbing codes. Refer to Product Installation Guide for detailed installation instructions on the web at frigidaire.ca.

Specifications subject to change. Accessories information available on the web at frigidaire.ca

